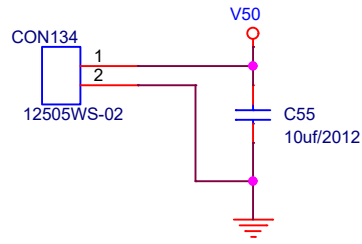
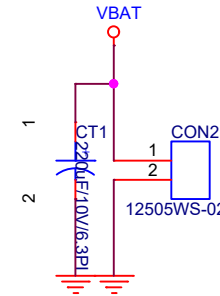


V50_IN

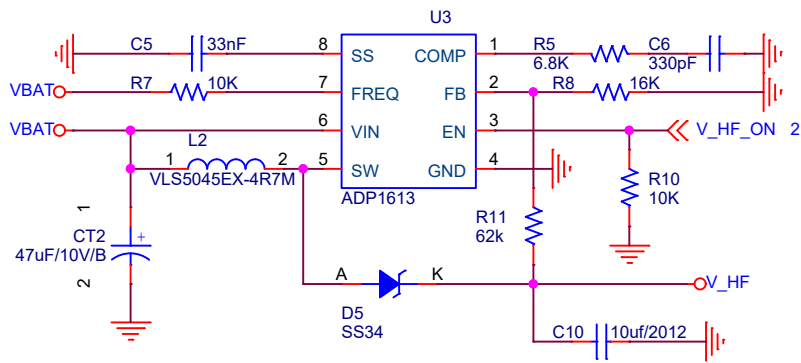


Battery IN

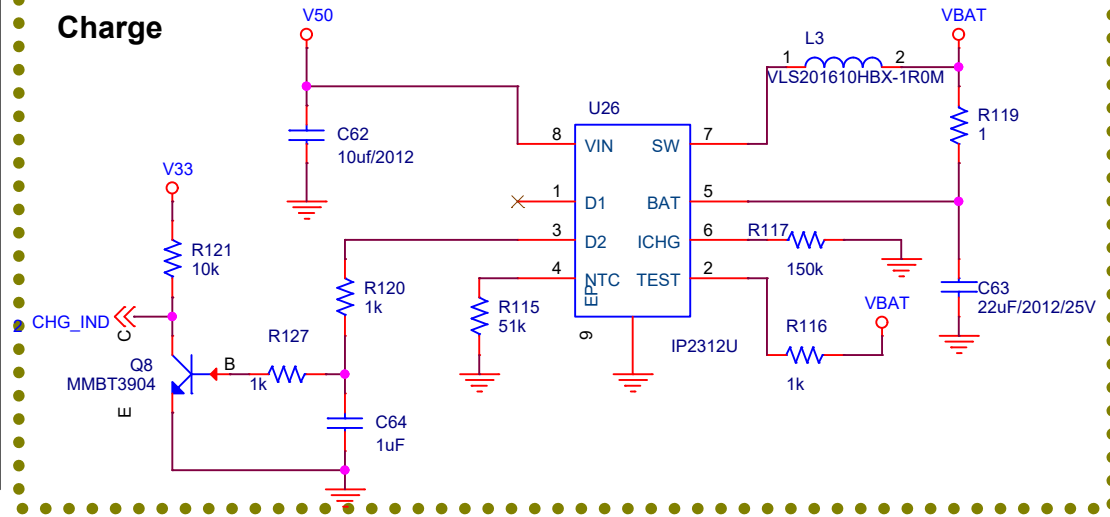


Voltage FOR HF

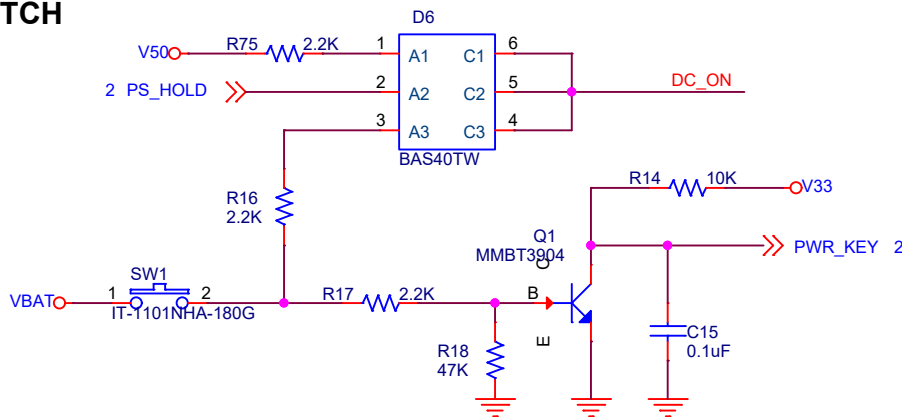
$$V = 1.235 \sim 1 + 62K/16K \sim 6.0206$$



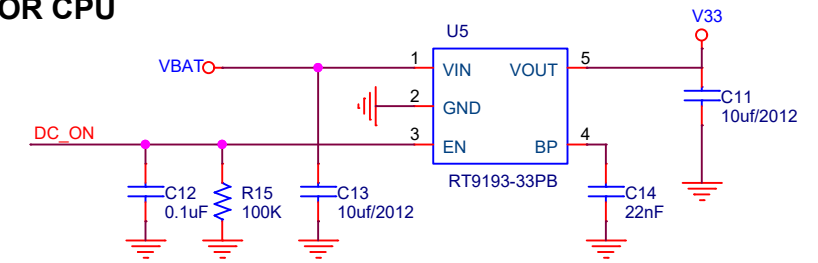
Charge



PWR SWITCH



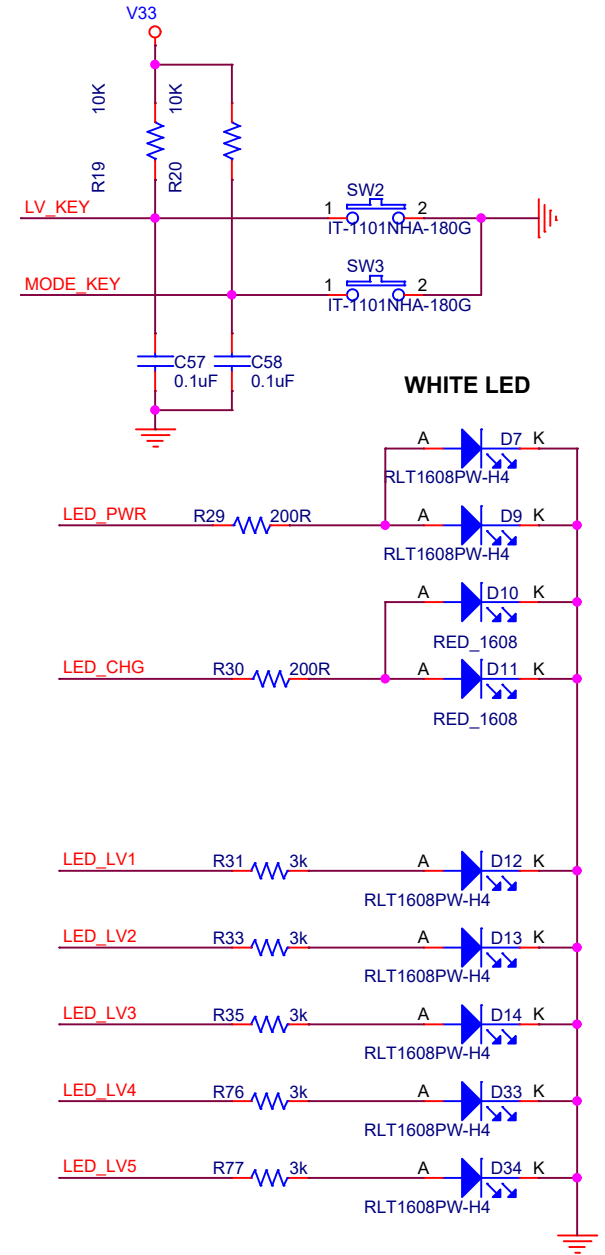
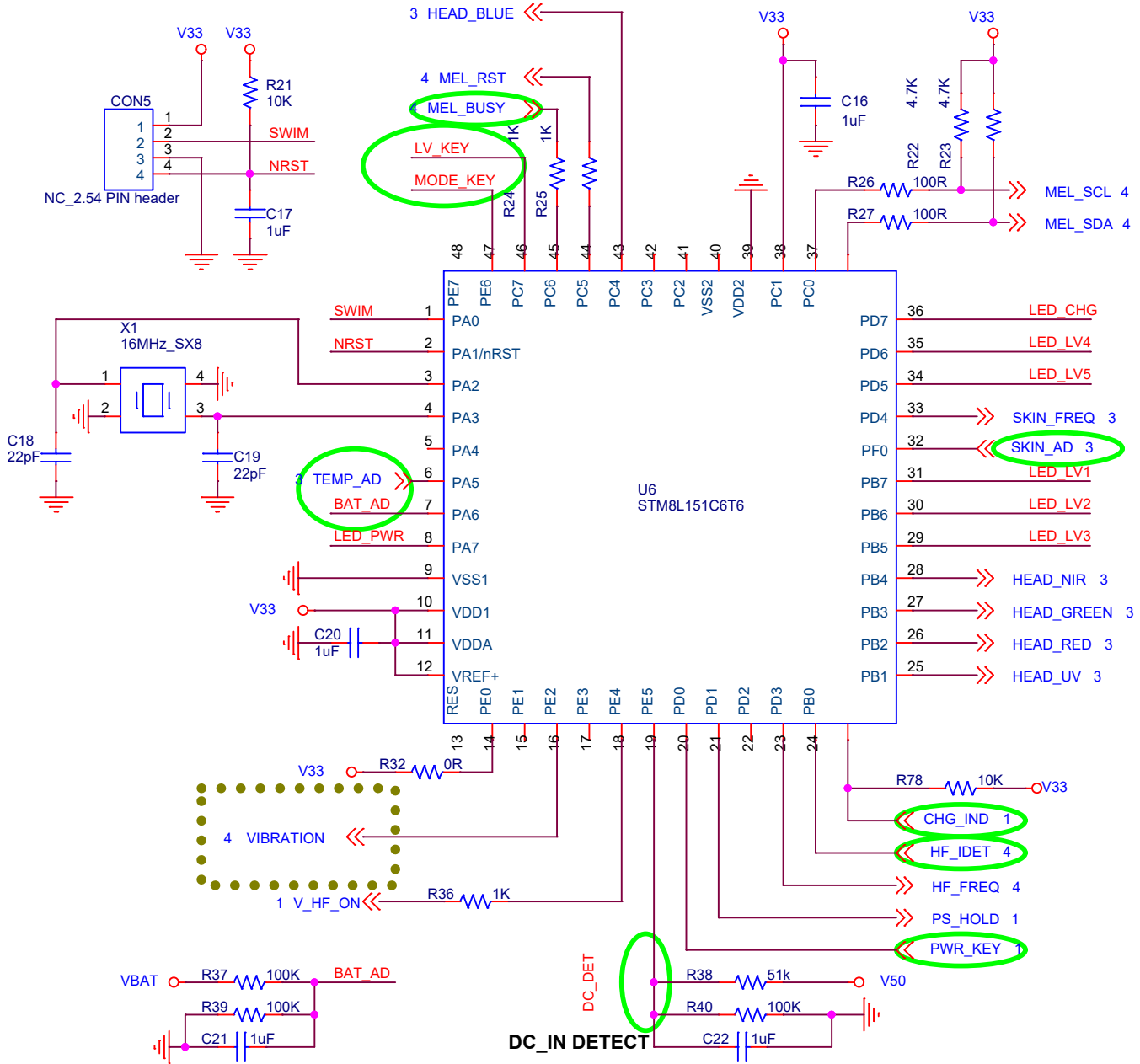
V33 FOR CPU



Title		
HF_MAIN		
Size	Document Number	Rev
A4	PWR	03
Date:	Thursday, March 02, 2023	Sheet 1 of 7

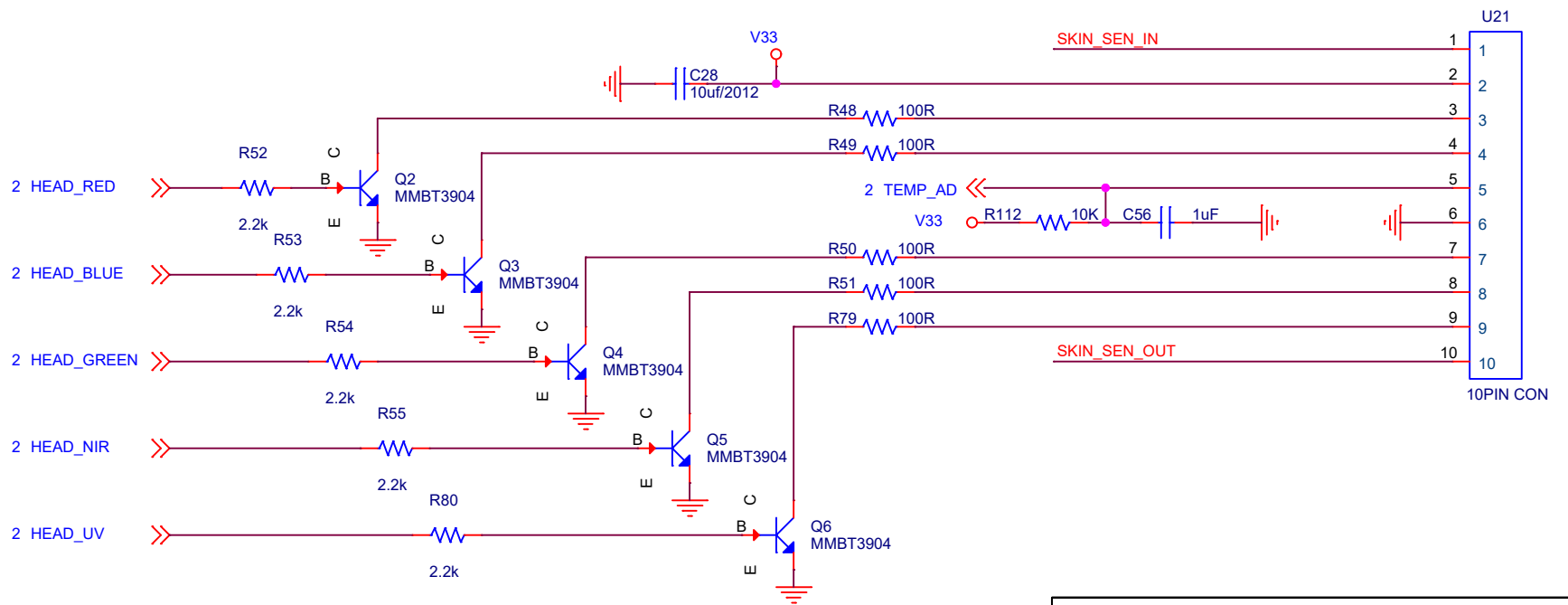
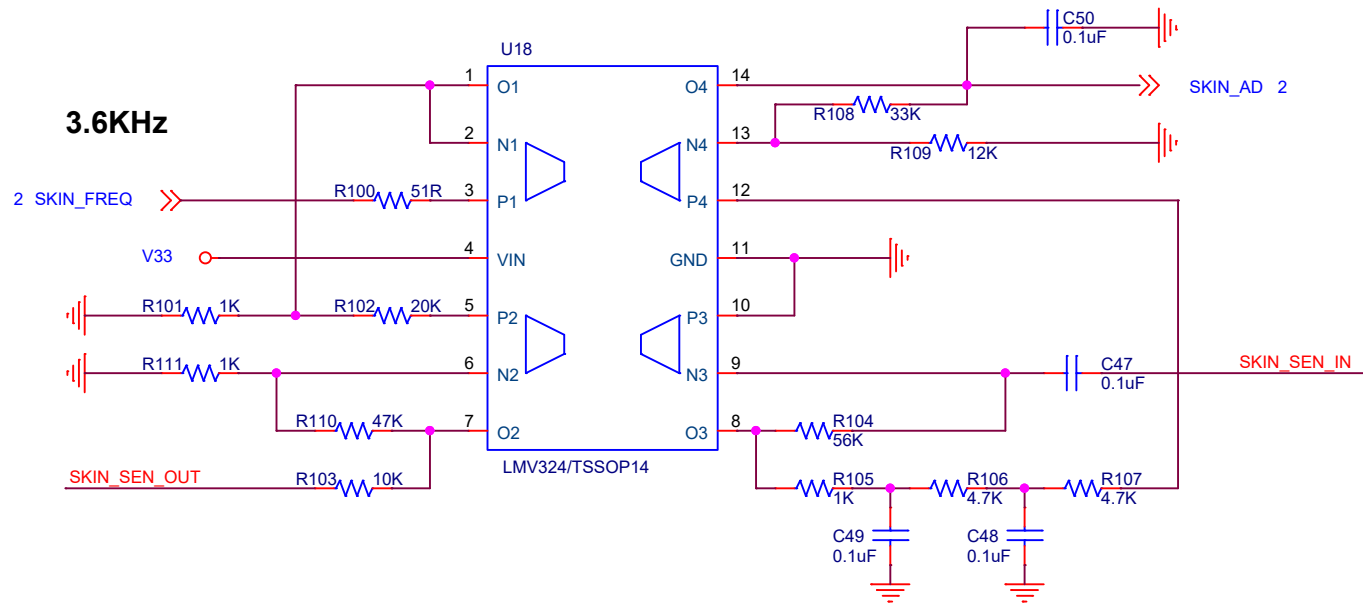
MCU

○ : INPUT PIN



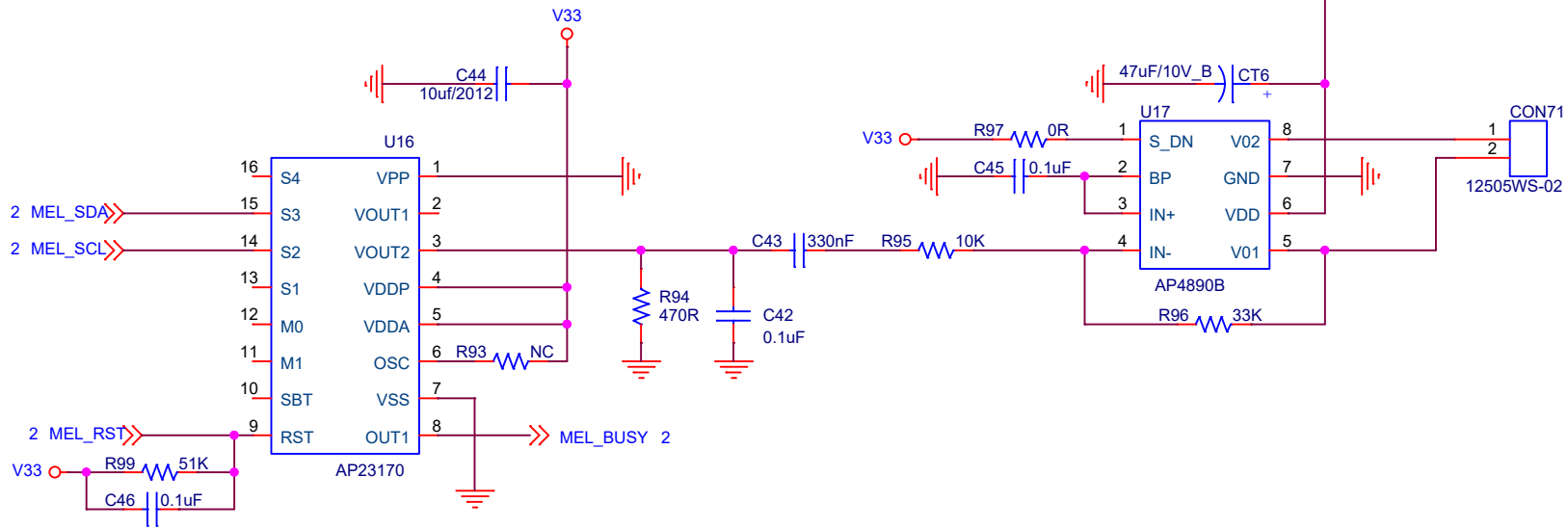
To get LED down R31,33,35,76,77 : 330=>1.2k 230207

Title		
HF_MAIN		
Size	Document Number	Rev
A4	STM8	03
Date:	Thursday, April 20, 2023	Sheet 2 of 7



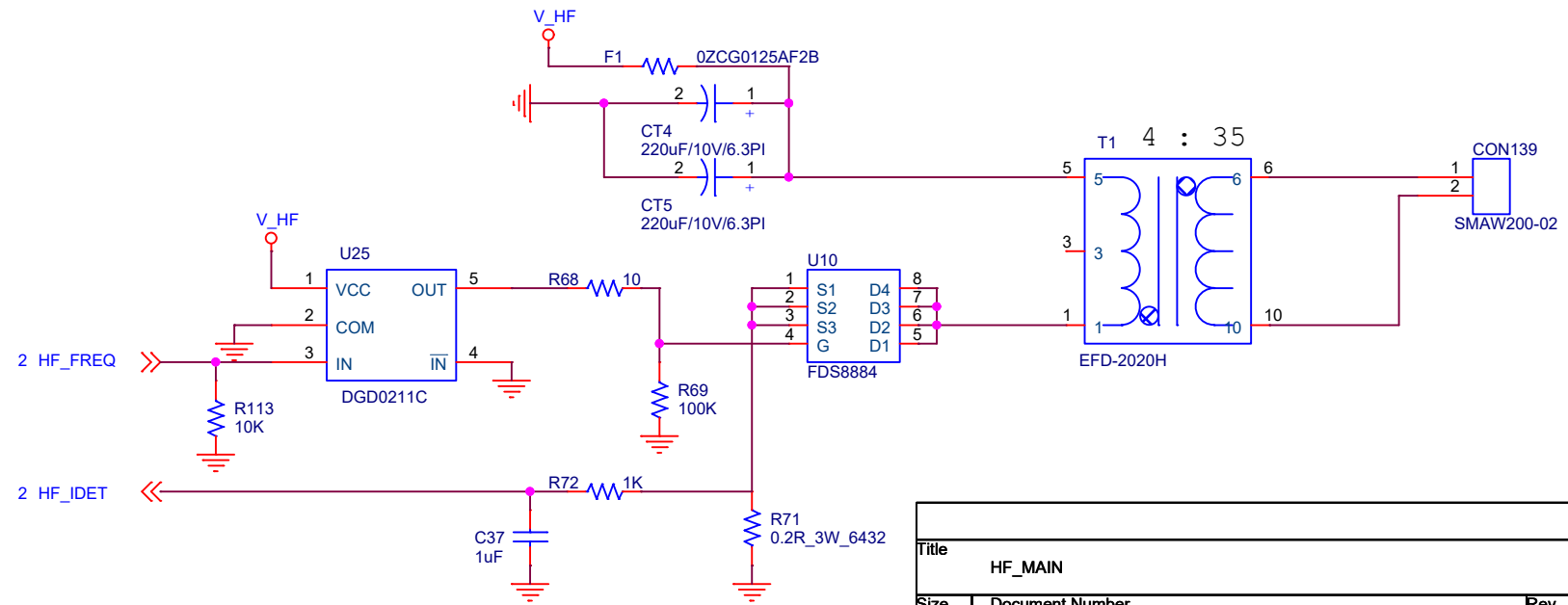
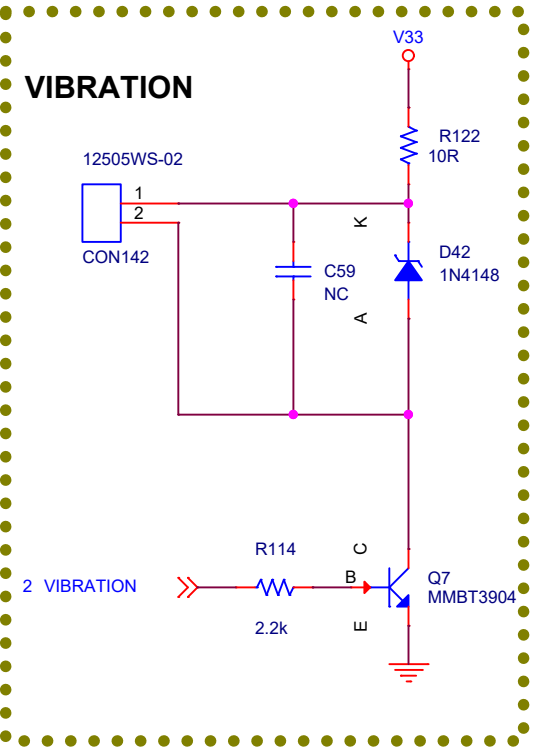
Title		
HF_MAIN		
Size	Document Number	Rev
A4	AUDIO & LED	03
Date:	Wednesday, May 17, 2023	Sheet 3 of 7

AUDIO & HF OUT&VIBRATION



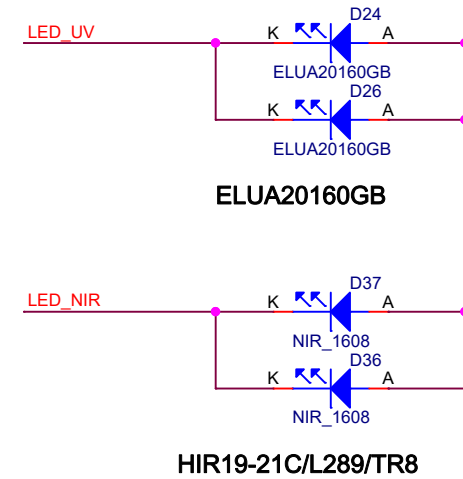
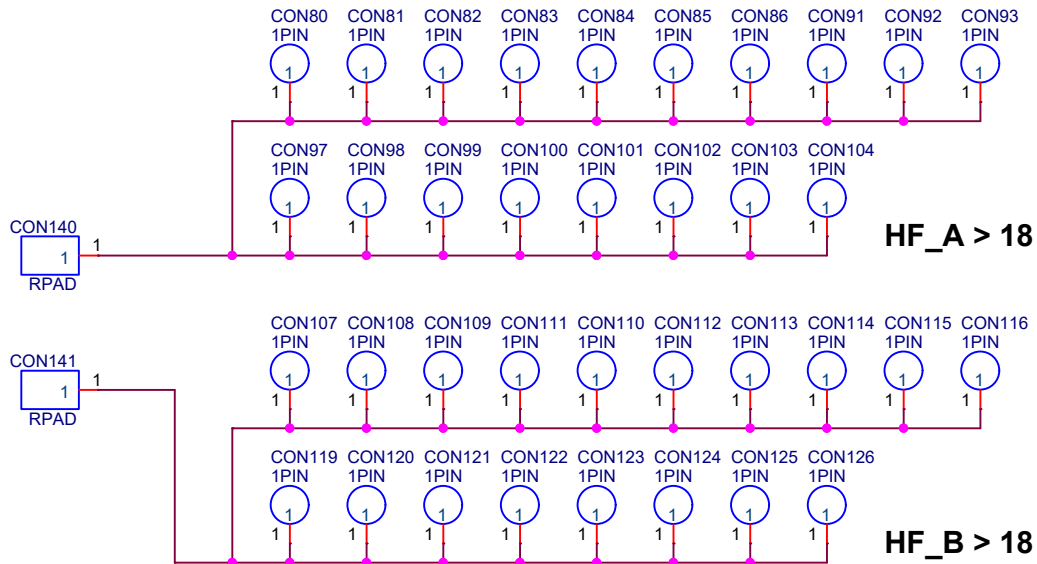
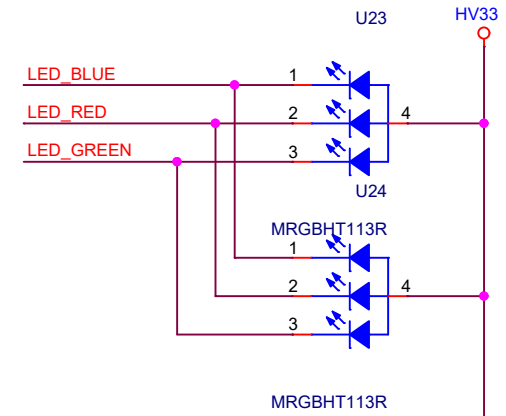
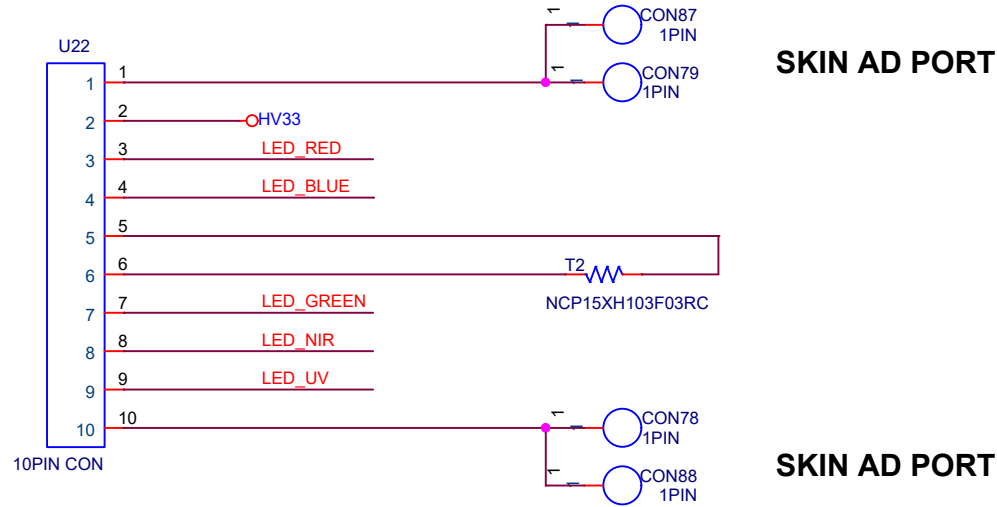
- 230407 : C59 NC, R122 30R
- 230410 : C59 NC, R122 10R
- 230419 : D42 1N4148

VIBRATION



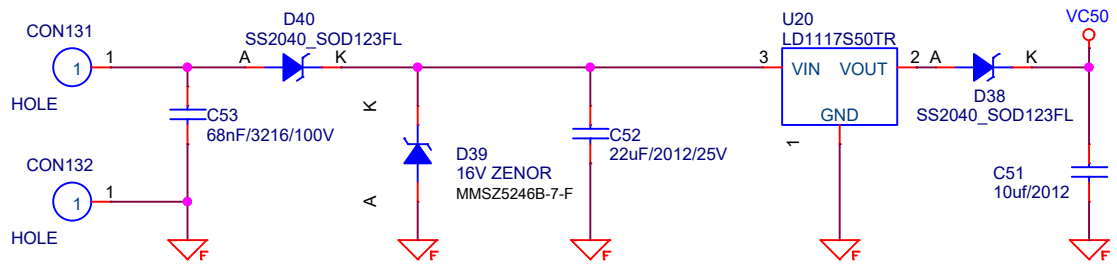
Title		
HF_MAIN		
Size	Document Number	Rev
A4	HF & SKIN SENSE	03
Date:	Thursday, April 20, 2023	Sheet 4 of 7

HEAD LED B'D

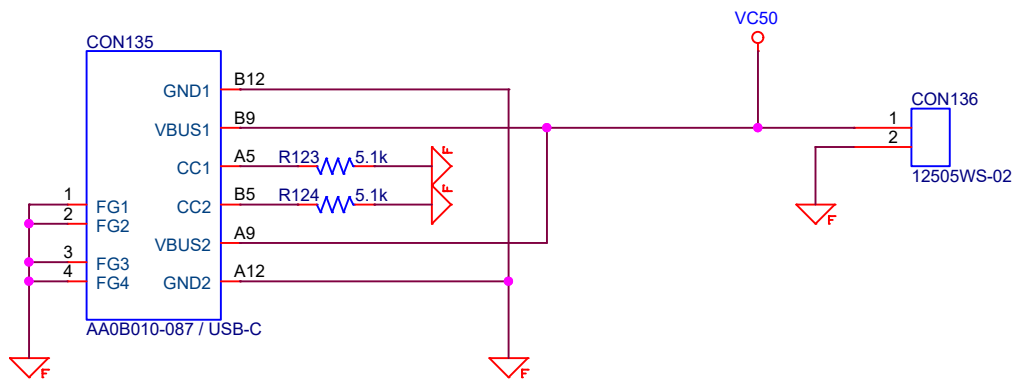


Title		
HF_HEAD		
Size	Document Number	Rev
A4	HEAD LED	03
Date:	Thursday, March 02, 2023	Sheet 5 of 7

WIRELESS PWR

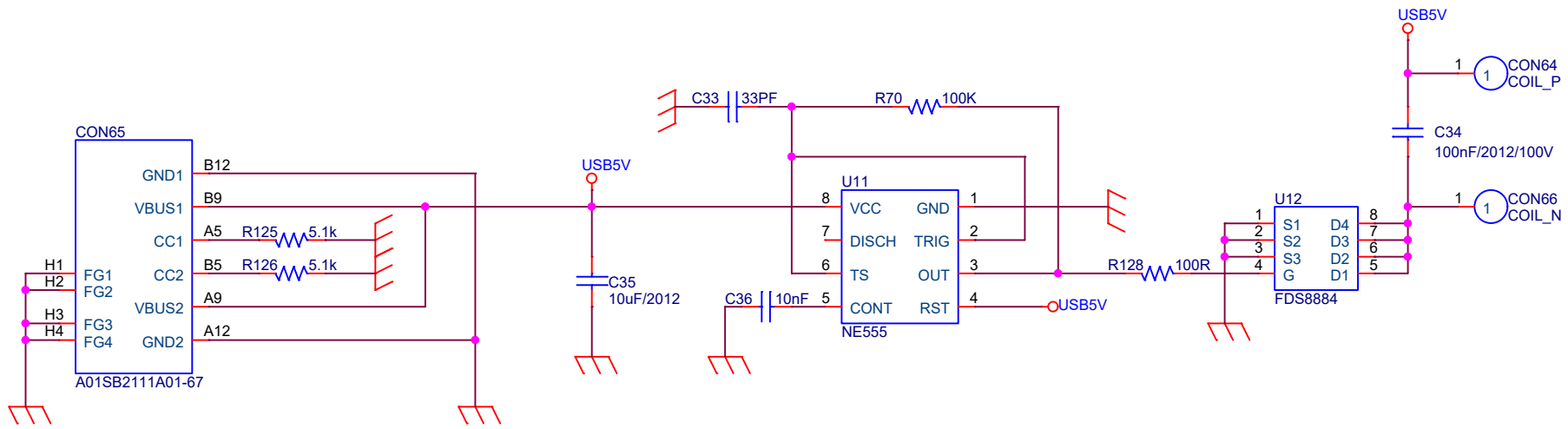


USB PWR



Title		
HF_USB		
Size	Document Number	Rev
A4	USB_CON	03
Date:	Thursday, April 20, 2023	Sheet 6 of 7

CRADLE B'D



230411 : Bead 추가, 전자파센터 시험결과 대기 비드 필요없음
 230419 : R128 100ohm 추가 (무선충전 노이즈 해결)

Title		
HF_CRADLE		
Size	Document Number	Rev
A4	CRADLE B'D	03
Date:	Thursday, April 20, 2023	Sheet 7 of 7